

HARVIA GLOW CORNER

HTRCE900400

Harvia Glow pillar heater has been designed to meet the needs of even the most demanding sauna decorator. Choose the tall, pillar model Glow or corner-mounted Glow Corner as the eye-catcher of your sauna interior. In addition to their aesthetic, Glow heaters also offer a pleasant sauna experience: the large stone quantity enables soft, comfortable steam.

Advantages

- Corner-mounted, crown-like pillar heater
- Fits into a small space
- Plenty of visible stone surface
- Controlled by a separate control unit



Features

Main material : Steel

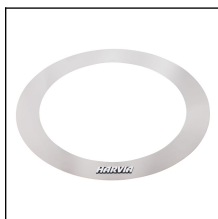
H x W x D : 1100.0 x 330.0 x 330.0 mm

Net weight (kg) : 15.5

Installation location : Wall

ID	GTIN	Output (kW)	Sauna room size min - max m3
HTRCE900400	6410082660230	9 kW	8.0-14.0

Related products



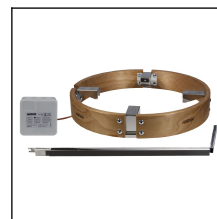
HPC1



HPC2



HPC3



HPC3L



HPC2L

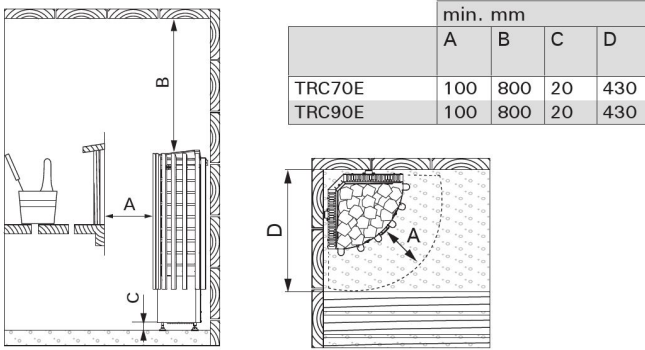
Spare parts

Product	ID	Pcs
Heating element 3000W/230V	ZSE-259	3
Sensor with reset button 125 degr.	WX248	1
Heating element 3000W 230V	SPZSE-259	

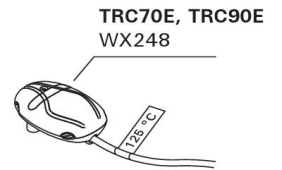
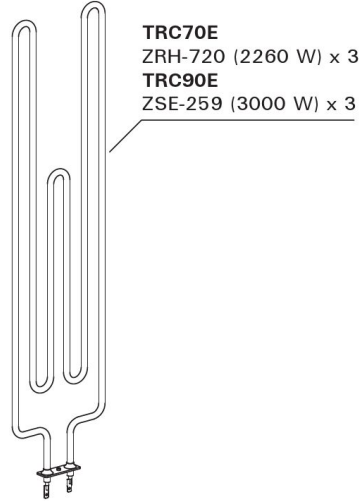
Technical details

Technical data	Type / attribute	HTRCE900400
	Color	Stainless Steel
	Power output	9 kW
	Stone sizes	Ø5–10 cm
	Stone amount (kg)	50
Dimensions	Product width	330
	Product height	1100
	Product depth (mm)	330
	Net weight (kg)	15.5
	Gross weight	17.7
	Package width	390
	Package height	1110
	Package depth	390
Safety and installation dimensions	Safety distance front (non-combustible materials)	100
	Safety distance front (combustible materials)	100
	Safety distance side (non-combustible materials)	100
	safety distance to the side wall (combustible materials)	100
	Safety distance (Ceiling)	800
	Room min. height(depends on connections and therefore from output, star/delta)	1900
	Installation opening height	1900
	Installation opening width	430
	Installation opening depth	430

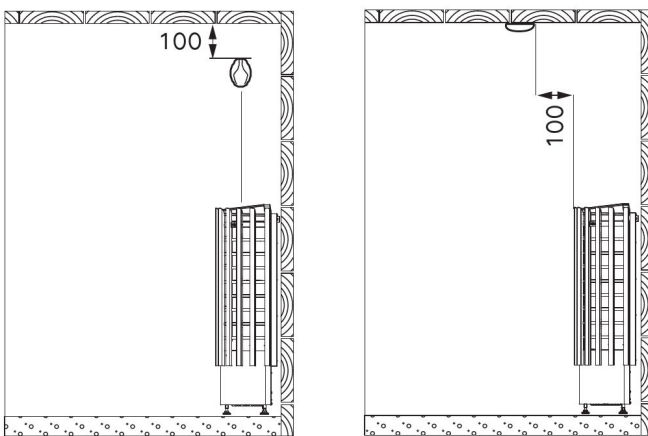
Technical images



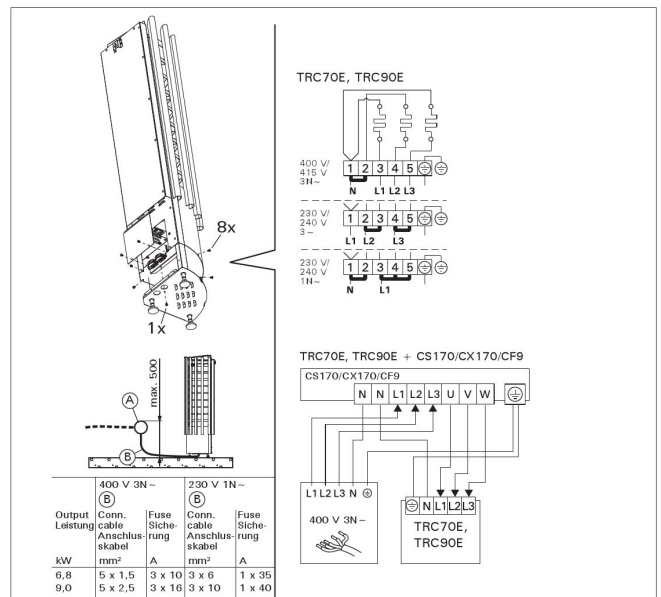
Safety distances (all dimensions in millimeters)



We recommend to use only the manufacturer's spare parts.



Installing the sensor (all dimensions in millimeters)



Electrical connections