

Wood burning heater Harvia Pro 20 ES black

WK200ES

A popular choice for cottage saunas, Harvia 20 ES Pro is a practical stove that provides a good, hot sauna bath. The 20-litre water container at the front of the stove is easy to use. Water will be heated by the time your sauna is ready for bathing. Through the cast-iron glass door the warm glow of the fire adds to the sauna atmosphere. The sturdy 10 mm fire space cover ensure durability. The stove features a big stone space and an air-flow spoiler made of stainless steel. The stove is also equipped with adjustable legs. The outer casing of the Harvia 20 ES Pro stove is painted graphite black.



Features

Main material : Steel

H x W x D : 760.0 x 430.0 x 650.0 mm

Net weight (kg) : 76.1

Stone amount (kg) : 40.0

ID	GTIN	Power	Sauna room size min - max m3
WK200ES	6417659001076	24.1 kW	8.0-20.0

Spare parts

Product	ID	Pcs
Ashpan ES/SL	Z2ES-125	
Furnace grate	ZKIP-10	1
Connection pipe	ZKIP-130	1
Hinge pin	ZKIP-50	1
	Z2ES-1	1
Handle for ash box	ZKIP-680	
Stove door with glass	ZROST-048	
Water container lid 20 ES (2019-)	ZES-146	1
Faucet set	ZVS-110	
	ZKIP-155	
Grill ES Welded 2019	SPZ2ES-221	
Adjustable legs for LG150/SL	SPZKIP-918	
Nut R1/2 25mm	SPZES-250	
Hinge pin, long	SP675	
Extension 25 mm hot water faucet	SPZES-240	
Spare part, latching pin	SP674	
Cap for smoke hole (Ø 50 mm)	SPZKIP-170	
Water container 20 ES, stainless steel	SP035	
Air guides set Green Flame 20	SP678	
Gasket for hot water faucet	SPZES-260	
Handle for door Legend GF	SP687	
Cast-iron grating 135x290mm, sauna heaters	SPZKIP-10	
Ash box, 20 ES/SL,ESGF	SP681	
Water container lid 20 ES (2019-)	ZES-146	

Technical details

Technical data	Type / attribute	WK200ES
Technical data	Color	Black
	Power output	24.1 kW
	Stone amount (kg)	40
Dimensions	Product width	430
	Product height	760
	Product depth (mm)	650
	Net weight (kg)	76.1
	Gross weight	78.8
	Package width	515
	Package height	800
Connections	Package depth	745
	Flue connection locations	Back, Top
	Chimney connection diameter	115
Safety and installation dimensions	Safety distance front (non-combustible materials)	300
	Safety distance front (combustible materials)	300
	Safety distance right side (combustible materials)	300
	Safety distance right side non-combustible materials	100

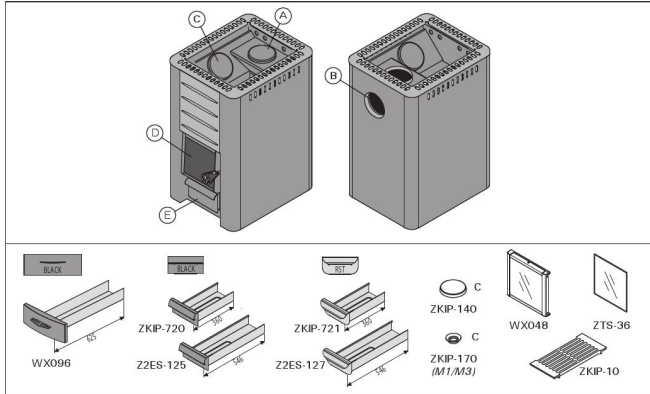
Technical details

Technical data	Type / attribute	WK200ES
	Safety distance left side (combustible materials)	300
	Safety distance left side non-combustible materials	100
	Safety distance behind (non-combustible materials)	100
	Safety distance behind (combustible materials)	300
	Safety distance (Ceiling)	1300
	Room min. height(depends on connections and therefore from output, star/delta)	2090

Technical images

1.1. Stove Parts

- A. Upper connection opening
- B. Rear connection opening
- C. Soot opening
- D. Stove door
- E. Ash box



Stove parts. Note! Only use replacement parts recommended by the manufacturer. Unauthorised modification of the stove is prohibited.

	A min.	B min.	C min.	D min.
M1, M2, M3/SL, Classic 140	1200	250	300	300
20 Pro, 20 SL Duo, 20 ES Pro, 20 SL Boiler, Premium VS, Classic 220 Duo, 20 RS/LS Pro	1300	300	300	300
26 Pro, Classic 280	1280	375	375	375
36, 36 Duo	1250	500	500	500
Linear 16, 16	1300	300	350	400
Linear 22, 22/S, Linear 22 RS/LS/ES, 22 RS/LS/ES	1265	400	380	500
Linear 28	1380	400	400	500

Safety distances (all dimensions in millimeters)

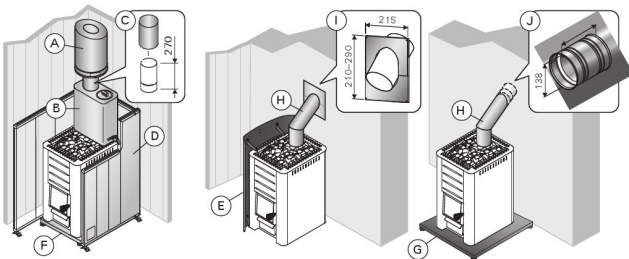
	B min.
WX017	300
M1, M2, M3/SL, 20 Pro, 20 SL Duo, 20 ES Pro/S, 20 SL Boiler, Premium VS, Classic 140/SL, Classic 220 Duo	375
26 Pro, Classic 280	300
Linear 16, 16	400
Linear 22/28, Linear 22 ES, 22 ES S, 22/S	400

	B min.	C min.	D min.	F
WL400/WL450	50	50	300	30
M1, M2, M3/SL, 20 Pro, 20 SL Duo, 20 ES Pro/S, 20 SL Boiler	62	62	422	30
WL500/WL550	73	73	526	30
20 SL Boiler, 20 ES Pro/S	90	90	700	30
WL700/WL750	62	62	422	30
26 Pro, 36, 36 Duo	30	30	400	32
WL500/WL590	70	70	500	40
WL425/WL475				
Linear 16, 16				
WL525/WL575				
Linear 22, 22/S				
WL525/WL585				
Linear 22 RS/LS, 22 RS/LS S				
WL530/WL580				
Linear 22 ES, 22 ES S				
WL725/WL775				
Linear 28				

Safety distances with protective sheaths (all dimensions in millimeters)

3.4. Accessories

- A. Harvia steel chimney WHP1500.
- B. Water heater VL221. Installed on the top of the upper connection opening. When a protective sheath or other protection is used that is not large enough to protect the inflammable materials around the stove from the heat radiation of the pipe between the water heater and smoke flue, you must install a radiation cover around the pipe.
- C. Radiation cover WZ020130. Installed around the smoke pipe.
- D. Harvia protective sheath WX017.
- E. Harvia protective sheath WL400-WL775.
- F. Harvia protective bedding WX018, WL100. (not for models 20 RS/LS Pro, 36, 36 Duo, Premium VS, Linear 22 RS/LS, 22 RS/LS S).
- G. Harvia protective bedding WL110 (not for models 20 ES Pro/S, Linear 22 ES, 22 ES S).
- H. Angle smoke pipe. Different models.
- I. Lead-through flange for smoke pipe WZ020115. Covers the edges of the flue opening and the sealing in the wall. Made of stainless steel. Consists of two parts to make it useable with differently inclined smoke pipes.
- J. Masonry connector WZ011115. Connected to the flue opening, does not require other seals. The inner side already has a seal.



Accessories (all dimensions in millimeters)

	B min.	C min.	D min.	F
WX017	300			
M2, M3/SL, 20 Pro, 20 ES Pro/S, Classic 220				
Linear, 22				

	B min.	C min.	D min.	F
WL200 Legend 150				
Legend 150 SL				

Harvia protective sheaths (all dimensions in millimeters)