

Wood burning heater Harvia 36 Duo steel

WK360SLUX

The Harvia 36 Duo wood burning heater is a unique 2-in-1 solution that combines a wood-heated wood burning heater and a fireplace. Heating up the wood burning heater lets you enjoy the atmosphere in two rooms. The wood burning heater creates a traditional sauna atmosphere and gives off great steam.



Features

Main material : Steel

H x W x D : 810.0 x 510.0 x 790.0 mm

Net weight (kg) : 78.1

Stone amount (kg) : 60.0

ID	GTIN	Power	Sauna room size min - max m3
WK360SLUX	6417659001144	31 kW	14.0-36.0

Spare parts

Product	ID	Pcs
Stainless steel frame for Duo-stoves	WX044	1
Furnace grate	ZKIP-10	1
Stove body 36 Duo	ZH2-300LUX	
Handle for ash box	ZKIP-680	
Air-flow spoiler 36	ZH2-143	
Adjustable legs for LG150/SL	SPZKIP-918	
Air-flow spoiler 36	SPZH2-143	
Hinge pin	SPZKIP-50	
Stainless steel frame for Duo-stoves	SP044	
Handle for Duo stoves door	SP095	
Cap for smoke hole (Ø 50 mm)	SPZKIP-170	
Ash box, Duo-series	SP096	
Cast-iron grating 135x290mm, sauna heaters	SPZKIP-10	

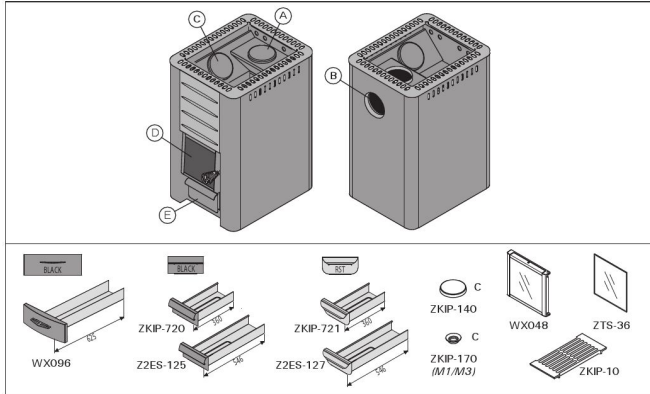
Technical details

Technical data	Type / attribute	WK360SLUX
	Color	Black
	Power output	31 kW
	Stone amount (kg)	60
Dimensions	Product width	510
	Product height	810
	Product depth (mm)	790
	Net weight (kg)	78.1
	Gross weight	80.5
	Package width	800
	Package height	985
	Package depth	605
Connections	Flue connection locations	Top
	Chimney connection diameter	115
Safety and installation dimensions	Safety distance front (non-combustible materials)	500
	Safety distance front (combustible materials)	500
	Safety distance right side (combustible materials)	500
	Safety distance right side non-combustible materials	100
	Safety distance left side (combustible materials)	500
	Safety distance left side non-combustible materials	100
	Safety distance behind (non-combustible materials)	100
	Safety distance behind (combustible materials)	500
Safety distance (Ceiling)	1250	
	Room min. height(depends on connections and therefore from output, star/delta)	2060

Technical images

1.1. Stove Parts

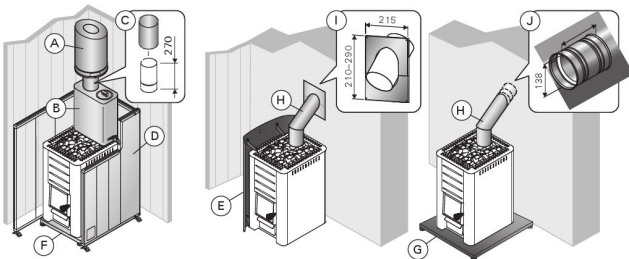
- A. Upper connection opening
- B. Rear connection opening
- C. Soot opening
- D. Stove door
- E. Ash box



Stove parts. Note! Only use replacement parts recommended by the manufacturer. Unauthorised modification of the stove is prohibited.

3.4. Accessories

- A. Harvia steel chimney WHP1500.
- B. Water heater VL221. Installed on the top of the upper connection opening. When a protective sheath or other protection is used that is not large enough to protect the inflammable materials around the stove from the heat radiation of the pipe between the water heater and smoke flue, you must install a radiation cover around the pipe.
- C. Radiation cover WZ020130. Installed around the smoke pipe.
- D. Harvia protective sheath WX017.
- E. Harvia protective sheath WL400-WL775.
- F. Harvia protective bedding WX018, WL100. (not for models 20 RS/LS Pro, 36, 36 Duo, Premium VS, Linear 22 RS/LS, 22 RS/LS S).
- G. Harvia protective bedding WL110 (not for models 20 ES Pro/S, Linear 22 ES, 22 ES S).
- H. Angle smoke pipe. Different models.
- I. Lead-through flange for smoke pipe WZ020115. Covers the edges of the flue opening and the sealing in the wall. Made of stainless steel. Consists of two parts to make it useable with differently inclined smoke pipes.
- J. Masonry connector WZ011115. Connected to the flue opening, does not require other seals. The inner side already has a seal.



Accessories (all dimensions in millimeters)

	A min.	B min.	C min.	D min.
M1, M2, M3-SL, Classic 140	1200	250	300	300
20 Pro, 20 SL Duo, 20 ES Pro, S20 Boiler, 20 SL Boiler, Premium VS, Classic 220 Duo, 20 RS/LS Pro	1300	300	300	300
26 Pro, Classic 280	1280	375	375	375
36, 36 Duo	1250	500	500	500
Linear 16, 16	1300	300	350	400
Linear 22, 22 S, Linear 22 RS/LS ES, 22 RS/LS ES S	1265	400	380	500
Linear 28	1380	400	400	500

Safety distances (all dimensions in millimeters)

WX017	B min.
M1, M2, M3-SL, 20 Pro, 20 SL Duo, 20 ES Pro-S, 20 Boiler, 20 SL Boiler, Premium, Classic 140-SL, Classic 220 Duo	300
26 Pro, Classic 280	375
Linear 16, 16	300
Linear 22/28, Linear 22 ES, 22 ES S, 22 S	400

WL400/WL450	M1, M2, M3-SL	B min.	C min.	D min.	F
20 Pro-SL Duo	50	50	300	30	
WL500/WL550	20 Pro-SL Duo	62	62	422	30
20 Boiler, 20 SL Boiler					
WL600/WL650	20 ES Pro-S				
WL700/WL750	26 Pro	73	73	526	30
WL800/WL850	36, 36 Duo	90	90	700	30
WL500/WL590	20 RS/LS Pro	62	62	422	30
WL425/WL475	Linear 16, 16	30	30	400	32
WL525/WL575	Linear 22, 22 S				
WL525/WL585	Linear 22 RS/LS, 22 RS/LS S	70	70	500	40
WL530/WL580	Linear 22 ES, 22 ES S				
WL725/WL775	Linear 28				

Safety distances with protective sheaths (all dimensions in millimeters)