

HARVIA CLUB

HRKG135400S

The Harvia Club Combi is a combination of an electric heater and a steamer that offers a variety of sauna experiences, such as a traditional sauna, a steam sauna, a herbal sauna or a fragrance sauna.



Features

Main material : Steel

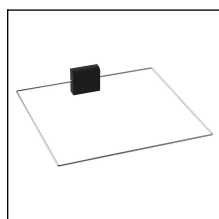
H x W x D : 700.0 x 505.0 x 490.0 mm

Net weight (kg) : 24.2

Installation location : Floor

ID	GTIN	Output (kW)	Sauna room size min - max m3
HRKG135400S	6410082662135	13.2 kW	11.0-20.0

Related products



SFE-500500

Spare parts

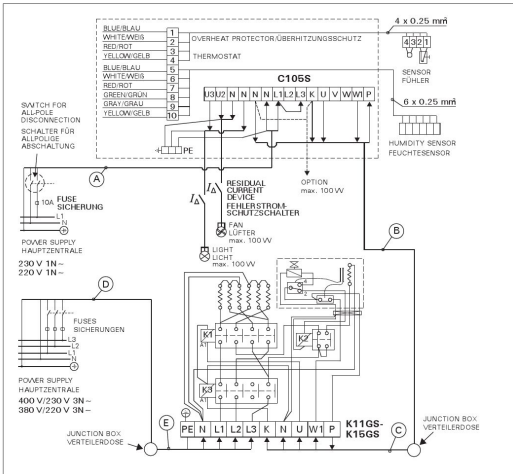
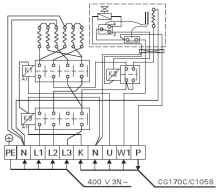
Product	ID	Pcs
Heating element 2500W/230V, F	ZSP-250	3
Heating element 2000W/230V	ZSS-120	3
Soapstone cup Ø 46/36	ZH-205	1
Club Combi water tank complete	ZSL-795B	1
Adjustable leg	ZSA-440	4
Water tank Club Combi complete, Stainless Steel	SPZSL-795B	1
Heating element 2500W 230V	SPZSP-250	3
Heating element 2000W 230V	SPZSS-120	3
Soapstone cup Ø 46/36, grey	SPZH-205	1

Technical details

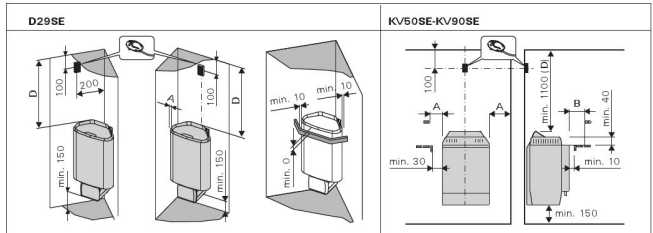
Technical data	Type / attribute	HRKG135400S
	Color	Stainless Steel
	Power output	13.2 kW
	Stone sizes	Ø5–10 cm
	Stone amount (kg)	60
Dimensions	Product width	505
	Product height	700
	Product depth (mm)	490
	Net weight (kg)	24.2
	Gross weight	26.3
	Package width	520
	Package height	735
	Package depth	510
Safety and installation dimensions	Safety distance front (non-combustible materials)	50
	Safety distance side (non-combustible materials)	50
	Safety distance behind (non-combustible materials)	70
	Safety distance (Ceiling)	1200
	Room min. height(depends on connections and therefore from output, star/delta)	2100

Technical images

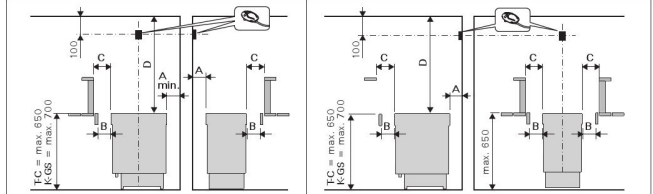
K11GS-K15GS



Model Modell	Output Leistung	Heater output Ofenleistung	Vaporiser Verdampfer	Fuses Sicherungen		Cables 400 V 3N- Kabel 400 V 3N-				
				A	D	A	B	C	D	E
K11GS	11.0	11.0 (3 x 0.15 + 3 x 1.5)	2.0	10	3 x 16	3 x 1.5	6 x 1.5	5 x 2.5	5 x 2.5	5 x 2.5
K13.5GS	13.5	13.5 (3 x 2 + 3 x 2.5)	2.0	10	3 x 20	3 x 1.5	6 x 1.5	5 x 4.0	5 x 2.5	5 x 2.5
K15GS	15.0	15.0 (6 x 2.5)	2.0	10	3 x 25	3 x 1.5	6 x 1.5	5 x 6.0	5 x 2.5	5 x 2.5



T7C-T9C, K11GS-K15GS Mounting the sensor on the wall/Montage des Fühlers an der Wand



T7C-T9C, K11GS-K15GS Mounting the sensor on the ceiling/Montage des Fühlers an der Decke

Model	A min.	A max.	B min.	C min.	D min.
K13.5GS	100	200	50	100	1400
K15GS	100	200	50	100	1400
T7C	80	120	35	60	1250
T9C	120	150	50	80	1250
KV50SE	35	-	20	-	1100
KV60SE	50	-	60	-	1100
KV80SE	100	-	90	-	1100
KV90SE	120	-	100	-	1100
D29SE	10	-	-	-	900

Safety distances (all dimensions in millimeters)

We recommend to use only the manufacturer's spare parts.

T7C-T9C
 T7C/A T9C/A
 1500W ZSN-110
 2000W ZSN-120
 T9C: A, C, E = 2000W
 B, D = 1500W
 T7C: B, E = 2000W
 C, D = 1500W

KV50SE-KV90SE
 KV50SE/KV90SE
 2000W ZSN-120
 2500W ZSN-150
 3000W ZSN-170
 3500W ZSN-190
 4000W ZSN-210
 4500W ZSN-230
 5000W ZSN-250

D29SE
 2900W ZSN-210

K11GS-K15GS
 1100W ZSN-110
 1350W ZSN-120
 1500W ZSN-130
 1750W ZSN-140
 2000W ZSN-150

No.	Description	Part Number	Quantity
1	Evaporator heating element, assembled	ZSN-242	1
2	Water reservoir, assembled	ZSN-250	1
3	Drain pipe, assembled	ZSN-250	1
4	Tap	ZSN-250	1
5	Overheating protector	ZSK-764	1
6	Thermostat 110 °C	ZSN-250	1
7	Soapstone cup	ZSN-505	2
8	Relay K2	ZSF-730	1
9	Contact	ZSL-940/ZSK-778	1
10	Contact	ZSL-750/ZSK-778	1
11	Power relay	ZSL-760	1
12	MG valve	WI08102/A	1

T7C-T9C

