

# HARVIA GLOBE

HGLE700400

The Harvia Globe represents the world's leading sauna heater manufacturer's perfection in roundness. Harvia's globe-shaped heater is the preferred choice for sauna interior decorators who seek individuality and distinction in design.

## Advantages

- Uniquely shaped, spherical sauna heater
- Plenty of visible stone surface
- The heater looks stylish when embedded on a bench
- Controlled by a separate control unit
- Supplied with a height adjustable stand



## Features

Main material : Steel

H x W x D : 875.0 x 430.0 x 430.0 mm

Net weight (kg) : 15.9

Installation location : Floor

ID	GTIN	Output (kW)	Sauna room size min - max m3
HGLE700400	6410082612185	7 kW	6.0-10.0

## Related products



HGL1



HGL2



HGL3



HGL4



HGL5

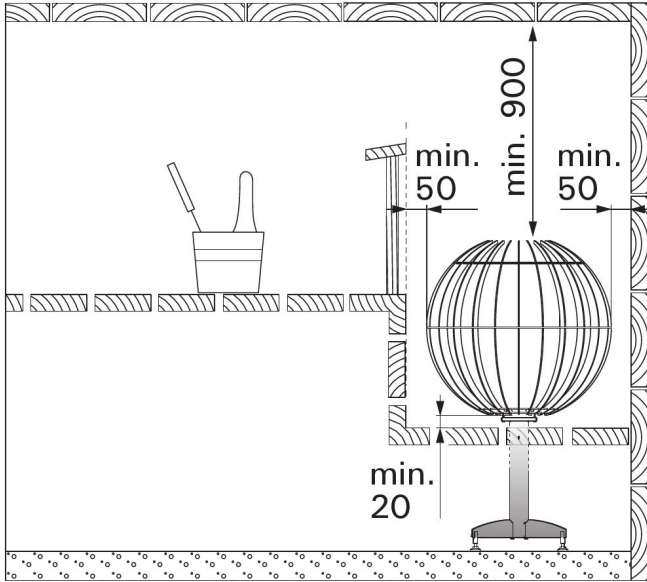
## Spare parts

Product	ID	Pcs
Heating element 2300W/230V Globe	ZVO-201	1
Armoured connection cable Globe	ZVO-183	1
	ZVO-151	
Power supply cable armored 7x2,5mm <sup>2</sup> , Globe GL70	SPZVO-183	
Heating element 2300W 230V, Globe	SPZVO-201	

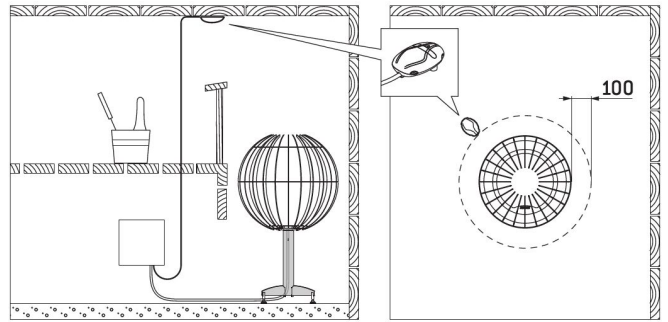
## Technical details

Technical data	Type / attribute	HGLE700400
	Color	Stainless Steel
	Power output	7 kW
	Stone sizes	Ø5–10 cm
	Stone amount (kg)	50
Dimensions	Product width	430
	Product height	875
	Product depth (mm)	430
	Net weight (kg)	15.9
	Gross weight	17.6
	Package width	420
	Package height	530
	Package depth	420
Safety and installation dimensions	Safety distance front (non-combustible materials)	50
	Safety distance front (combustible materials)	50
	Safety distance right side (combustible materials)	50
	Safety distance right side non-combustible materials	50
	Safety distance left side (combustible materials)	50
	Safety distance left side non-combustible materials	50
	Safety distance side (non-combustible materials)	50
	safety distance to the side wall (combustible materials)	50
	Safety distance behind (non-combustible materials)	50
	Safety distance behind (combustible materials)	50
	Safety distance (Ceiling)	900
	Room min. height(depends on connections and therefore from output, star/delta)	1900
	Installation opening height	1900
Installation opening width	530	
Installation opening depth	530	

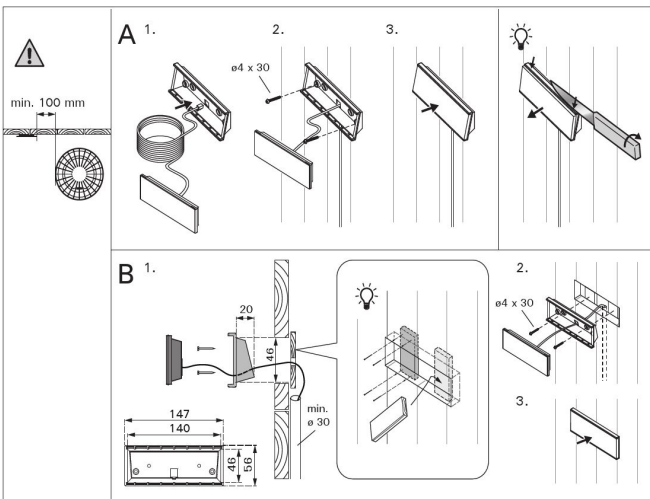
Technical images



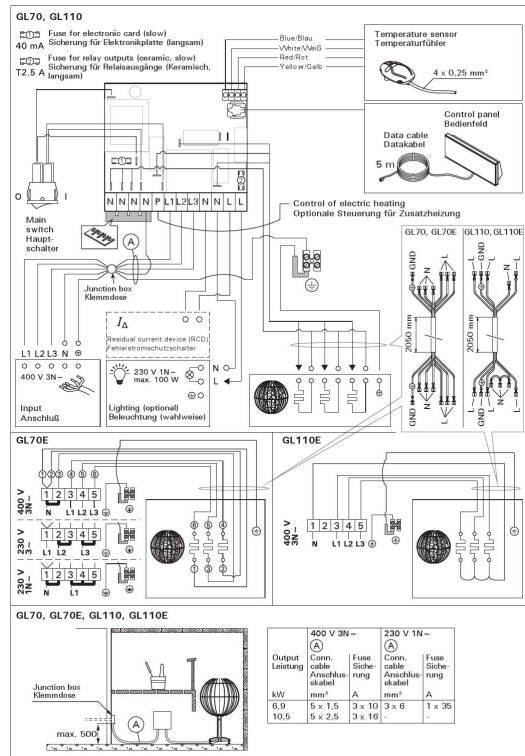
Safety distances (all dimensions in millimeters)



Installing the temperature sensor (all dimensions in millimeters)



Installing the control panel (all dimensions in millimeters)



Electrical connections

Output Leistung	400 V 3N-		230 V 1N-	
	Conn. cable Anschluss skabel	Fuse Siche- rung A	Conn. cable Anschluss skabel	Fuse Siche- rung A
6,9	5 x 1,5	3 x 10	3 x 6	1 x 35
10,5	5 x 2,5	3 x 16	-	-