

HARVIA VEGA

HCBE350400S

This powerhouse heater for small saunas features operating switches on the top part, making the user experience as ergonomic as only Harvia provides. The heater is easy to install onto the wall mount with one screw and can be mounted very low

Advantages

- Small and compact wall-mounted heater
- Can be installed particularly low on the sauna wall ensuring that the lower benches also enjoy plenty of heat
- Can be easily connected to Harvia's control unit



Features

Main material : Steel

H x W x D : 505.0 x 280.0 x 295.0 mm

Net weight (kg) : 6.5

Installation location : Wall

| ID | GTIN | Output (kW) | Sauna room size min - max m3 |
|-------------|---------------|-------------|------------------------------|
| HCBE350400S | 6417659010405 | 3.5 kW | 2.0-4.5 |

Spare parts

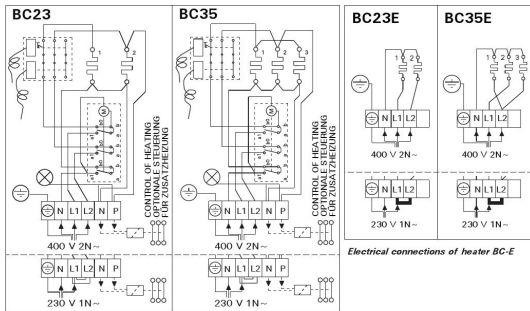
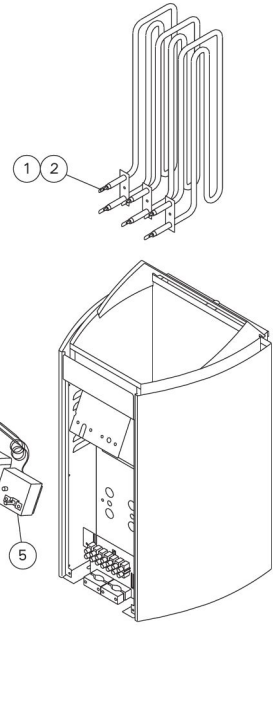
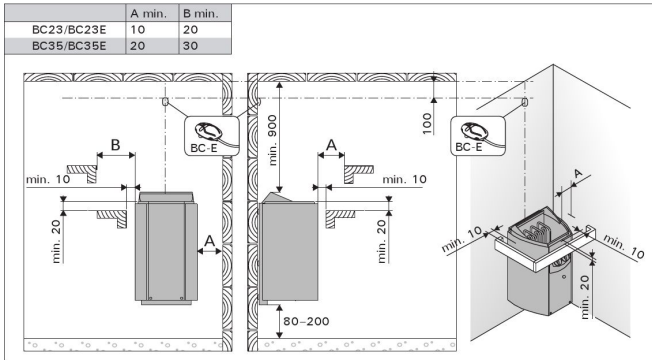
| Product | ID | Pcs |
|--|-----------|-----|
| Heating element 1150W/230V | ZSB-770 | 3 |
| Heating element 1150W/230V, Vega Compact | SPZSB-770 | 3 |

Technical details

| Technical data | Type / attribute | HCBE350400S |
|------------------------------------|--|-----------------|
| | Color | Stainless Steel |
| | Power output | 3.5 kW |
| | Stone amount (kg) | 12 |
| Dimensions | Product width | 280 |
| | Product height | 505 |
| | Product depth (mm) | 295 |
| | Net weight (kg) | 6.5 |
| | Gross weight | 7.5 |
| | Package width | 300 |
| | Package height | 470 |
| | Package depth | 300 |
| Safety and installation dimensions | Safety distance front (non-combustible materials) | 10 |
| | Safety distance side (non-combustible materials) | 20 |
| | Safety distance (Ceiling) | 900 |
| | Room min. height(depends on connections and therefore from output, star/delta) | 1700 |
| | Installation opening height | 1700 |
| | Installation opening width | 320 |
| | Installation opening depth | 290 |

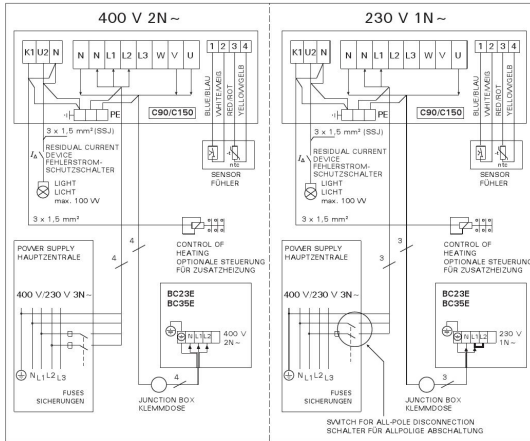
Technical images

| | | |
|---|---------------|-----------------------|
| 1 | ZSB-770 (x 2) | 1150 W/230 V (BC23/E) |
| 2 | ZSB-770 (x 3) | 1150 W/230 V (BC35/E) |
| 3 | ZSK-510 | |
| 4 | ZSB-125 | Ⓛ (BC) |
| 5 | ZSK-520 | °C (BC) |
| 6 | ZSB-115 | |
| 7 | ZSI-240 | Ⓛ (BC) |



Electrical connections of heater BC

Electrical connections of heater BC-E



Electrical connections of control unit C90/C150 and heater BC-E