

# HARVIA CILINDRO

HPCE1104



## Features

Main material : Steel

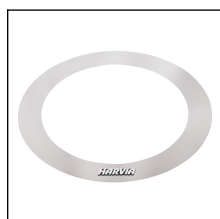
H x W x D : 1070.0 x 365.0 x 365.0 mm

Net weight (kg) : 11.6

Installation location : Floor

ID	GTIN	Output (kW)	Sauna room size min - max m3
HPCE1104	6410082612758	10.8 kW	9.0-18.0

## Related products



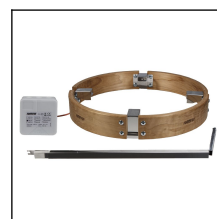
HPC1



HPC2



HPC4



HPC4L



HPC2L

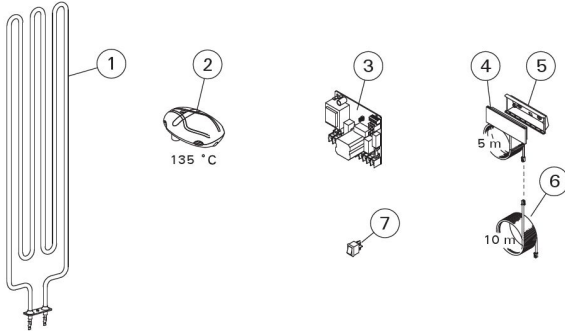
## Spare parts

Product	ID	Pcs
Heating element 3600W/230V	ZSC-360	1
Adjustable leg	ZSA-440	
Support plate for heating elements	ZSC-140	1
Support plate middle	SPZSC-140	
Heating element 3600W 230V	SPZSC-360	3

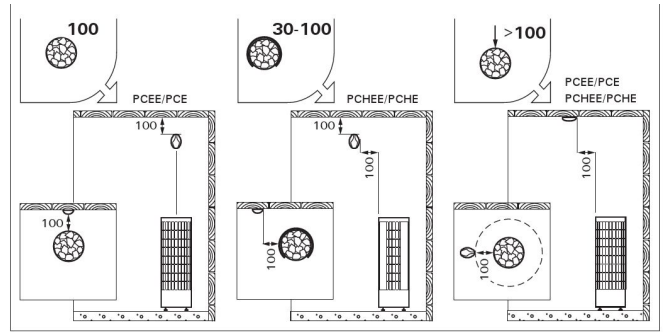
## Technical details

Technical data	Type / attribute	HPCE1104
	Color	Stainless Steel
	Power output	10.8 kW
	Stone sizes	Ø5–10 cm
	Stone amount (kg)	120
Dimensions	Product width	365
	Product height	1070
	Product depth (mm)	365
	Net weight (kg)	11.6
	Gross weight	13.6
	Package width	420
	Package height	1100
	Package depth	420
Safety and installation dimensions	Safety distance front (non-combustible materials)	100
	Safety distance front (combustible materials)	100
	Safety distance side (non-combustible materials)	100
	safety distance to the side wall (combustible materials)	100
	Safety distance behind (non-combustible materials)	100
	Safety distance (Ceiling)	830
	Room min. height(depends on connections and therefore from output, star/delta)	1900
	Installation opening height	1900
	Installation opening width	565
Installation opening depth	565	

Technical images

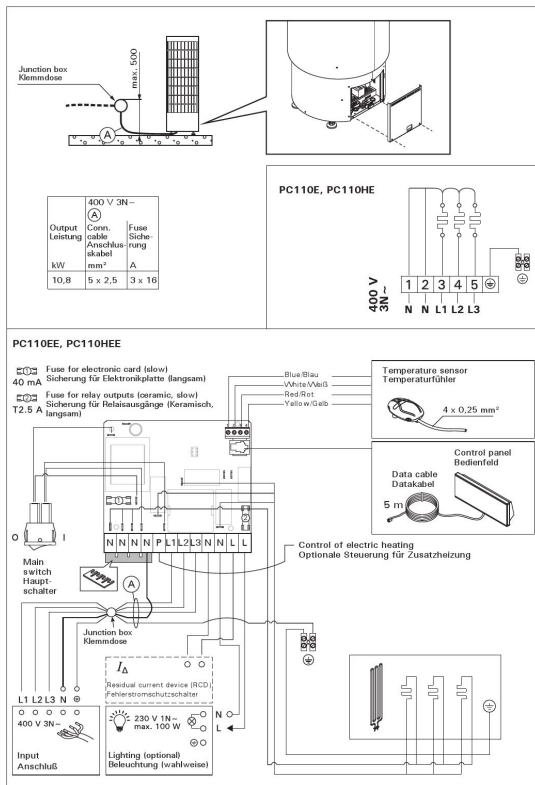


1	Heating element 3600 W	Heizelement 3600 W	PC110EE PC110HEE PC110HE	ZSC-360
2	Temperature sensor (135 °C)	Temperaturfühler (135 °C)	PC110EE PC110HEE	WX247
3	Circuit board	Leiterplatte	PC110EE PC110HEE	WX600
4	Control panel	Bedienfeld	PC110EE PC110HEE	WX601
5	Installation flange	Montagemanschette	PC110EE PC110HEE	ZVR-653
6	Data cable extension 10 m (optional) Data cable 5 m (optional) Data cable 1.5 m (optional) Data cable 10 m (optional)	Verlängerungskabel 10 m (wahlweise) Datenkabel 5 m (wahlweise) Datenkabel 1.5 m (wahlweise) Datenkabel 10 m (wahlweise)	PC110EE PC110HEE	WX313 WX311 WX312 WX315
7	Main switch	Hauptschalter	PC110EE PC110HEE	ZSK-684

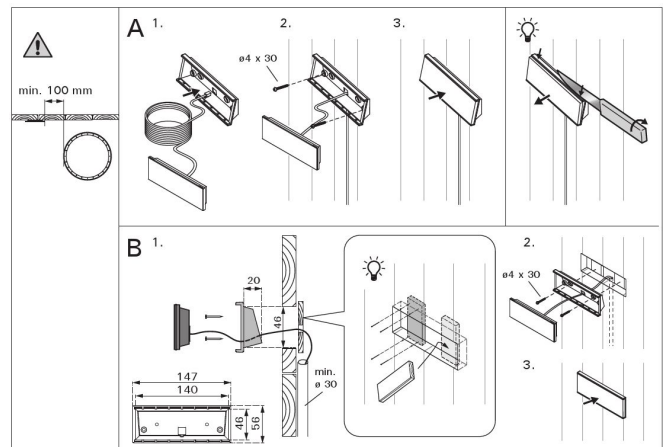


Installing the temperature sensor (all dimensions in millimeters)

We recommend to use only the manufacturer's spare parts.



Electrical connections



Installing the control panel (all dimensions in millimeters)