

# HARVIA CLUB PRO

HRL300400

The Harvia Profi heater is designed to be a super heater that provides ample steam for large groups from morning till night. The heater is suitable for apartment buildings, hotels, holiday resorts, sports centres and spas etc.



## Features

Main material : Steel

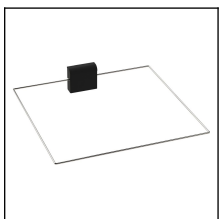
H x W x D : 730.0 x 500.0 x 900.0 mm

Net weight (kg) : 48.4

Installation location : Floor

ID	GTIN	Output (kW)	Sauna room size min - max m3
HRL300400	6410082607471	30 kW	40.0-56.0

## Related products



SFE-500500

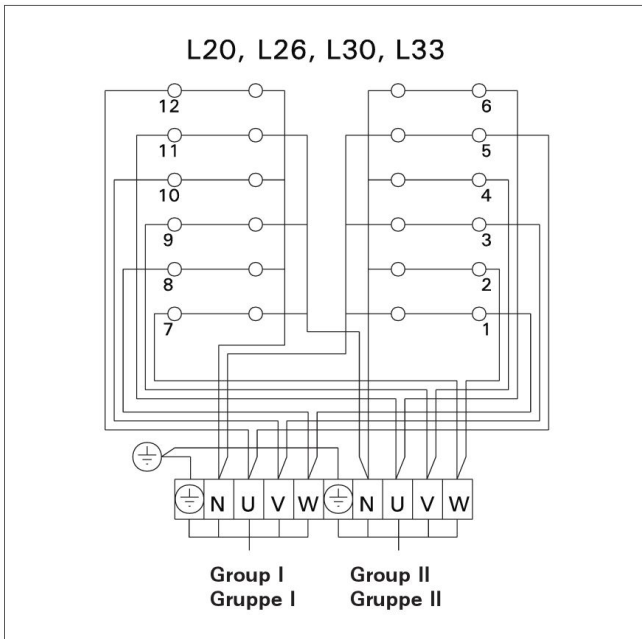
## Spare parts

Product	ID	Pcs
Heating element 2500W/230V	ZSL-314	12
Cable set Profi	ZL-230	
Packaging box L	ZL-240	
Furnace grate KG	ZSL-634	
Heating element 2500W 230V	SPZSL-314	12

## Technical details

Technical data	Type / attribute	HRL300400
Technical data	Color	Stainless Steel
	Power output	30 kW
	Stone sizes	Ø5–10 cm
	Stone amount (kg)	100
Dimensions	Product width	500
	Product height	730
	Product depth (mm)	900
	Net weight (kg)	48.4
	Gross weight	51.8
	Package width	545
	Package height	790
Safety and installation dimensions	Package depth	950
	Safety distance front (non-combustible materials)	100
	Safety distance front (combustible materials)	100
	Safety distance side (non-combustible materials)	200
	safety distance to the side wall (combustible materials)	200
	Safety distance behind (non-combustible materials)	200
	Safety distance (Ceiling)	1500
	Room min. height(depends on connections and therefore from output, star/delta)	2200
Installation opening height	2230	
Installation opening width	800	
Installation opening depth	1200	

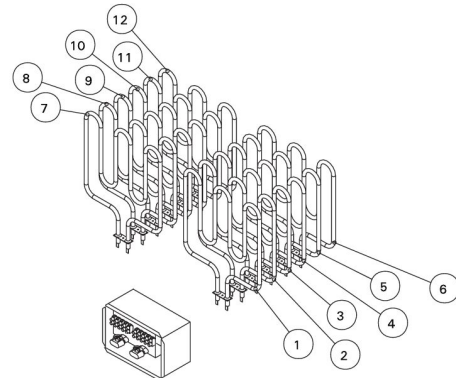
**Technical images**



**The heater's electrical connections**  
**Elektroanschlüsse des Saunaofens**

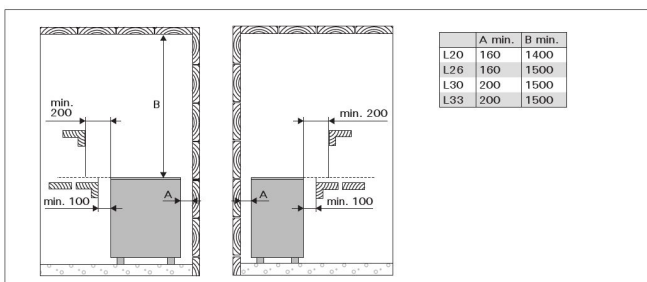
**SPARE PARTS**

**ERSATZTEILE**



Model Modell	Heating element/Part no. Heizelement/Teil nr.				
	1750 W/240 V ZSK-732	2000 W/240 V ZSL-313	2500 W/230 V ZSL-314	2670 W/240 V ZSL-316	3000 W/240 V ZSL-318
L20	1-12				
L26		1, 3, 5, 7, 9, 11	2, 4, 6, 8, 10, 12		
L30			1-12	(1-12)	
L33					1-12

We recommend to use only the manufacturer's spare parts.  
Es dürfen ausschließlich die Ersatzteile des Herstellers verwendet werden.



*Safety distances (all dimensions in millimeters)*