

HARVIA VEGA

HCBE230400S

This powerhouse heater for small saunas features operating switches on the top part, making the user experience as ergonomic as only Harvia provides. The heater is easy to install onto the wall mount with one screw and can be mounted very low

Advantages

- Small and compact wall-mounted heater
- Can be installed particularly low on the sauna wall ensuring that the lower benches also enjoy plenty of heat
- Can be easily connected to Harvia's control unit



Features

Main material : Steel

H x W x D : 505.0 x 280.0 x 295.0 mm

Net weight (kg) : 6.3

Installation location : Wall

ID	GTIN	Output (kW)	Sauna room size min - max m3
HCBE230400S	6417659010399	2.3 kW	1.3-2.5

Spare parts

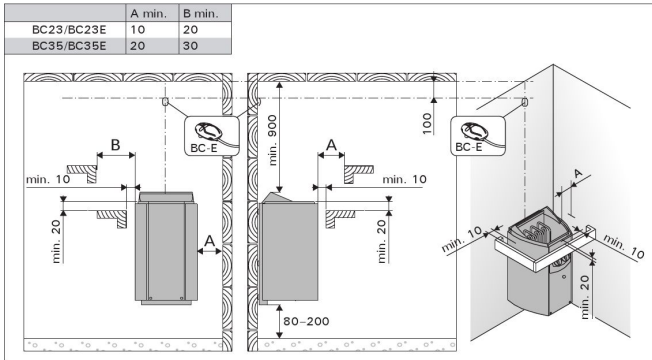
Product	ID	Pcs
Heating element 1150W/230V	ZSB-770	2
Signal light for Vega Compact	ZSI-240	1
Pilot light Vega Compact, red	SPZSI-240	
Heating element 1150W/230V, Vega Compact	SPZSB-770	2

Technical details

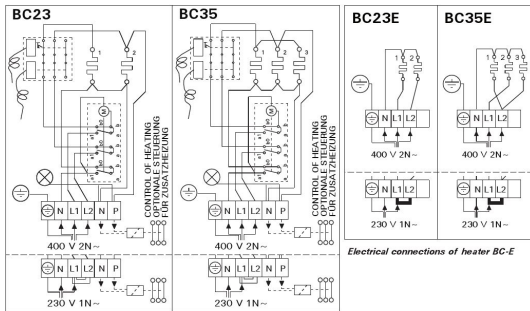
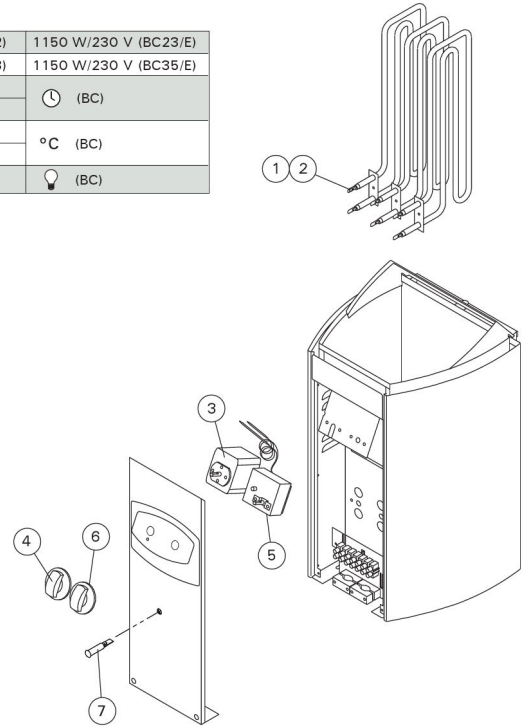
Technical data	Type / attribute	HCBE230400S
	Color	Stainless Steel
	Power output	2.3 kW
	Stone amount (kg)	12
Dimensions	Product width	280
	Product height	505
	Product depth (mm)	295
	Net weight (kg)	6.3
	Gross weight	7.3
	Package width	300
	Package height	470
	Package depth	300
Safety and installation dimensions	Safety distance front (non-combustible materials)	10
	Safety distance front (combustible materials)	10
	Safety distance side (non-combustible materials)	20
	safety distance to the side wall (combustible materials)	10
	Safety distance (Ceiling)	900
	Room min. height(depends on connections and therefore from output, star/delta)	1700
	Installation opening height	1700
	Installation opening width	300
	Installation opening depth	290

Technical images

1	ZSB-770 (x 2)	1150 W/230 V (BC23/E)
2	ZSB-770 (x 3)	1150 W/230 V (BC35/E)
3	ZSK-510	
4	ZSB-125	Ⓛ (BC)
5	ZSK-520	°C (BC)
6	ZSB-115	Ⓛ (BC)
7	ZSI-240	Ⓛ (BC)

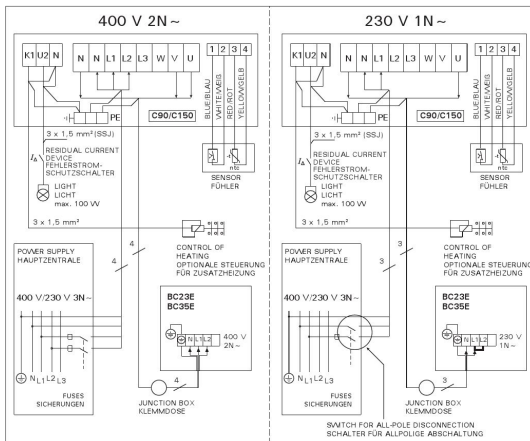


Safety distances (all dimensions in millimeters)



Electrical connections of heater BC-E

Electrical connections of heater BC



Electrical connections of control unit C90/C150 and heater BC-E