

Wood burning heater Harvia Linear 28 black

WK280C

The Linear 28 stove is source of glowing heat and magnificent bath for small saunas. The simple, sculptural design adds timeless style to the sauna. Through the cast-iron glass door the warm glow of the fire adds to the sauna atmosphere. The opening direction of the door can be changed. The fire chamber and combustion air channels of Harvia stoves are designed so that sauna warms quickly and the burning is cleaner. The stoves meet the requirements for CE-marking. The recommended size of the sauna room is 10-28 m³ and the maximum amount of stones is 50 kg.



Features

Main material : Steel

H x W x D : 850.0 x 450.0 x 510.0 mm

Net weight (kg) : 60.6

Stone amount (kg) : 50.0

ID	GTIN	Power	Sauna room size min - max m ³
WK280C	6417659019118	22 kW	10.0-26.0

Spare parts

Product	ID	Pcs
Harvia Linear 280	WKP280C	
Furnace grate	ZKIP-10	1
Connection pipe	ZKIP-130	
Glass for stove door 184*210 mm	ZTS-36	
Ashpan RST Pro	ZKIP-720	1
Hinge pin	ZKIP-50	
Stove body (26)	ZH1-300	
Handle for stove + screws	ZKIP-670	
Handle for ash box	ZKIP-680	
Stove door with glass	ZROST-048	
	ZKIP-155	
Handle and screws, Chrome	SPZKIP-670	
Adjustable legs for LG150/SL	SPZKIP-918	
Hinge pin	SPZKIP-50	
Ashtray black, sauna heaters	SP682	
Cap for smoke hole (Ø 50 mm)	SPZKIP-170	
Glass 184x210x4 mm Stoves 2006-, transparent	SPZTS-36	
Stove door with glass (from 2006)	SP048	
Cast-iron grating 135x290mm, sauna heaters	SPZKIP-10	

Technical details

Technical data	Type / attribute	WK280C
Technical data	Color	Black
	Power output	22 kW
	Stone amount (kg)	50
	Dimensions	
Dimensions	Product width	450
	Product height	850
	Product depth (mm)	510
	Net weight (kg)	60.6
	Gross weight	62.7
	Package width	495
	Package height	880
Connections	Package depth	535
	Flue connection locations	Back, Top
	Chimney connection diameter	115
Safety and installation dimensions	Safety distance front (non-combustible materials)	500
	Safety distance front (combustible materials)	500
	Safety distance right side (combustible materials)	400
	Safety distance right side non-combustible materials	100
	Safety distance left side (combustible materials)	400
	Safety distance left side non-combustible materials	100
	Safety distance side (non-combustible materials)	400
	Safety distance behind (non-combustible materials)	100
Safety distance behind (combustible materials)	400	

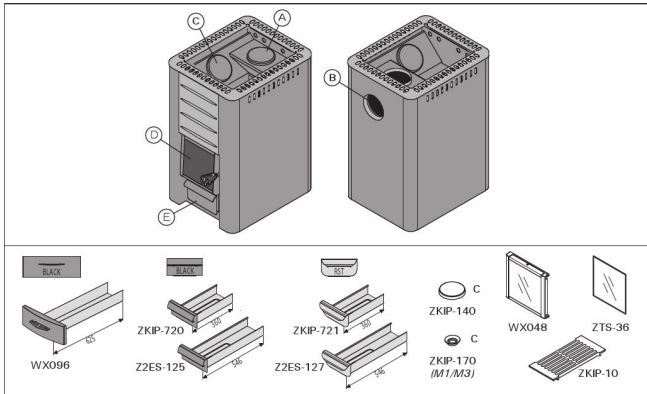
Technical details

Technical data	Type / attribute	WK280C
	Safety distance (Ceiling)	1380
	Room min. height(depends on connections and therefore from output, star/delta)	2430

Technical images

1.1. Stove Parts

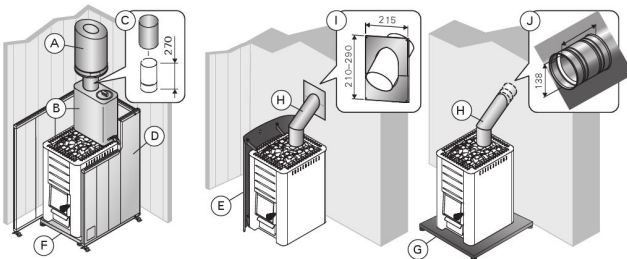
- A. Upper connection opening
- B. Rear connection opening
- C. Soot opening
- D. Stove door
- E. Ash box



Stove parts. Note! Only use replacement parts recommended by the manufacturer. Unauthorised modification of the stove is prohibited.

3.4. Accessories

- A. Harvia steel chimney WHP1500.
- B. Water heater VL221. Installed on the top of the upper connection opening. When a protective sheath or other protection is used that is not large enough to protect the inflammable materials around the stove from the heat radiation of the pipe between the water heater and smoke flue, you must install a radiation cover around the pipe.
- C. Radiation cover WZ020130. Installed around the smoke pipe.
- D. Harvia protective sheath WX017.
- E. Harvia protective sheath WL400-WL775.
- F. Harvia protective bedding WX018, WL100. (not for models 20 RS/LS Pro, 36, 36 Duo, Premium VS, Linear 22 RS/LS, 22 RS/LS S).
- G. Harvia protective bedding WL110 (not for models 20 ES Pro/S, Linear 22 ES, 22 ES S).
- H. Angle smoke pipe. Different models.
- I. Lead-through flange for smoke pipe WZ020115. Covers the edges of the flue opening and the sealing in the wall. Made of stainless steel. Consists of two parts to make it useable with differently inclined smoke pipes.
- J. Masonry connector WZ011115. Connected to the flue opening, does not require other seals. The inner side already has a seal.



Accessories (all dimensions in millimeters)

	A min.	B min.	C min.	D min.
M1, M2, M3-SL, Classic 140	1200	250	300	300
20 Pro, 20 SL Duo, 20 ES Pro, S20 Boiler, 20 SL Boiler, Premium VS, Classic 220 Duo, 20 RS/LS Pro	1300	300	300	300
26 Pro, Classic 280	1280	375	375	375
36, 36 Duo	1250	500	500	500
Linear 16, 16	1300	300	350	400
Linear 22, 22 S, Linear 22 RS/LS ES, 22 RS/LS ES S	1265	400	380	500
Linear 28	1380	400	400	500

Safety distances (all dimensions in millimeters)

WX017	B min.
M1, M2, M3-SL, 20 Pro, 20 SL Duo, 20 ES Pro-S, 20 Boiler, 20 SL Boiler, Premium, Classic 140-SL, Classic 220 Duo	300
26 Pro, Classic 280	375
Linear 16, 16	300
Linear 22/28, Linear 22 ES, 22 ES S, 22 S	400

WL400/WL450	M1, M2, M3-SL	B min.	C min.	D min.	F
20 Pro-SL Duo	50	50	300	30	
WL500/WL550	20 Pro-SL Duo	62	62	422	30
20 Boiler, 20 SL Boiler					
WL600/WL650	20 ES Pro-S				
WL700/WL750	26 Pro	73	73	526	30
WL800/WL850	36, 36 Duo	90	90	700	30
WL500/WL590	20 RS/LS Pro	62	62	422	30
WL425/WL475	Linear 16, 16	30	30	400	32
WL525/WL575	Linear 22, 22 S				
WL525/WL585	Linear 22 RS/LS, 22 RS/LS S				
WL530/WL580	Linear 22 ES, 22 ES S	70	70	500	40
WL725/WL775	Linear 28				

Safety distances with protective sheaths (all dimensions in millimeters)