

# HARVIA GLOW

HTRT900400

The Harvia Glow pillar heater has been designed to meet the needs of even the most demanding sauna decorator. In addition to their aesthetic, Glow heaters also offer a pleasant sauna experience: the large stone quantity enables soft, comfortable steam.

## Advantages

- Tall, crown-like pillar heater
- The height of the pillar heater allows for a spectacular embedding in the bench
- The large number of stones guarantees soft and abundant steam
- Easy-to-use operating switches on the front of the heater



## Features

Main material : Steel

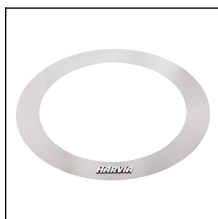
H x W x D : 1076.0 x 364.0 x 364.0 mm

Net weight (kg) : 15.35

Installation location : Floor

ID	GTIN	Output (kW)	Sauna room size min - max m3
HTRT900400	6410082660124	9 kW	8.0-14.0

## Related products



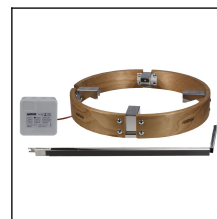
HPC1



HPC2



HPC3



HPC3L



HPC2L

## Spare parts

Product	ID	Pcs
Heating element 3000W/230V	ZSE-259	3
Contactora K1 62.83.8.230.0300	WX207	1
Sensor with reset button 125 degr.	WX248	1
Timer 4h+8h	ZSK-510	1
Thermostat/overheating limiter switch	ZSK-520	1
Thermostat knob	ZST-220	1
Timer knob	ZST-230	1
Bracket for capillary sensor	ZSC-145	1
Sensor bracket, Cilindro	SPZSC-145	
Heating element 3000W 230V	SPZSE-259	
Timer 4+8h	SPZSK-510	1
Thermostat overheating limiter switch	SPZSK-520	
Knob thermostat KIP/M/PC/QR/FG, black	SPZST-220	
Knob timer 4+8 KIP/M/PC/QR/FG, black, black	SPZST-230	

## Technical details

Technical data	Type / attribute	HTRT900400
	Color	Stainless Steel
	Power output	9 kW
	Stone sizes	Ø5–10 cm
	Stone amount (kg)	90
Dimensions	Product width	364
	Product height	1076
	Product depth (mm)	364
	Net weight (kg)	15.35
	Gross weight	17.5
	Package width	390
	Package height	1110
	Package depth	390
Safety and installation dimensions	Safety distance front (non-combustible materials)	100
	Safety distance front (combustible materials)	100
	Safety distance right side (combustible materials)	100
	Safety distance right side non-combustible materials	100
	Safety distance left side (combustible materials)	100
	Safety distance left side non-combustible materials	100
	Safety distance side (non-combustible materials)	100
	safety distance to the side wall (combustible materials)	100
	Safety distance behind (non-combustible materials)	100
	Safety distance behind (combustible materials)	100
	Safety distance (Ceiling)	850
	Room min. height(depends on connections and therefore from output, star/delta)	1900
	Installation opening height	1900
Installation opening width	564	
Installation opening depth	564	

DATA SHEET

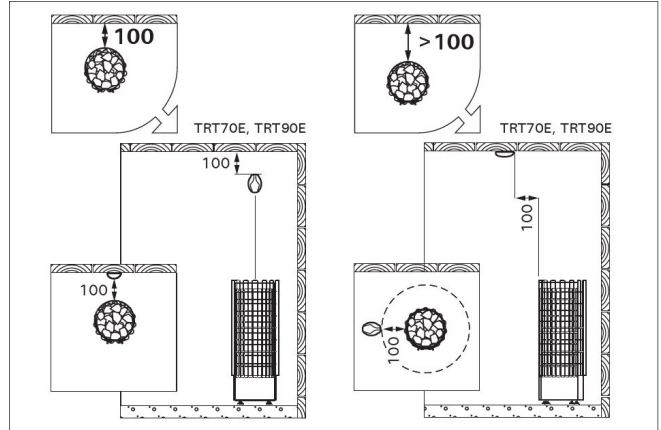
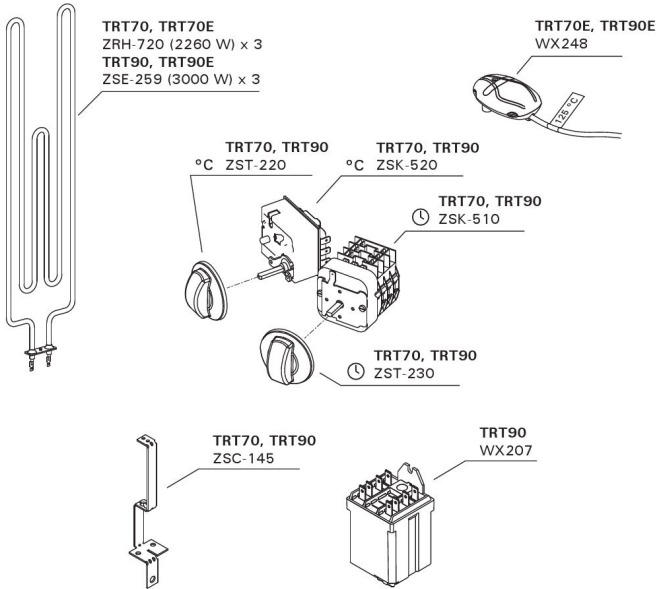
# HARVIA ELECTRIC HEATERS



**HARVIA**

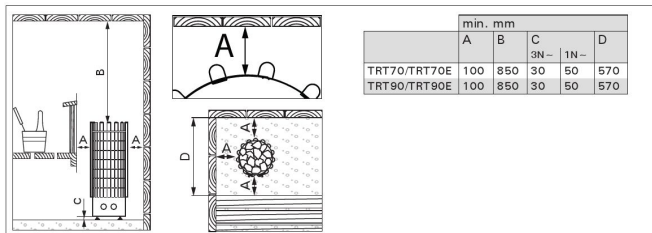
Sauna & Spa

Technical images

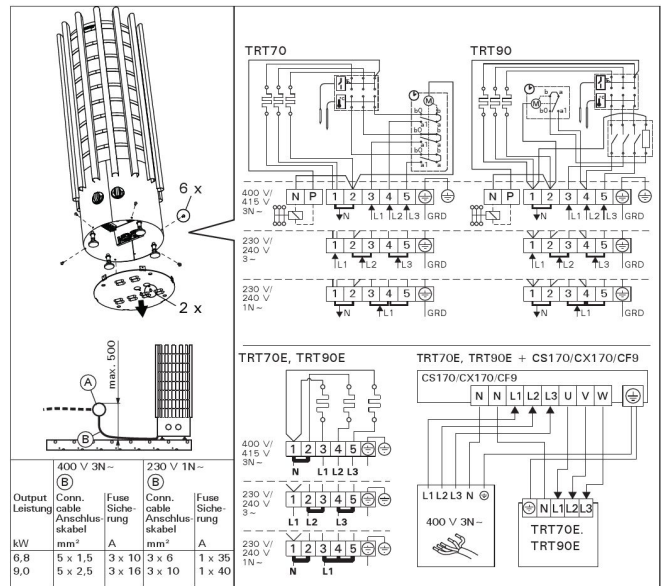


Installing the sensor (all dimensions in millimeters)

We recommend to use only the manufacturer's spare parts.



Safety distances (all dimensions in millimeters)



Electrical connections